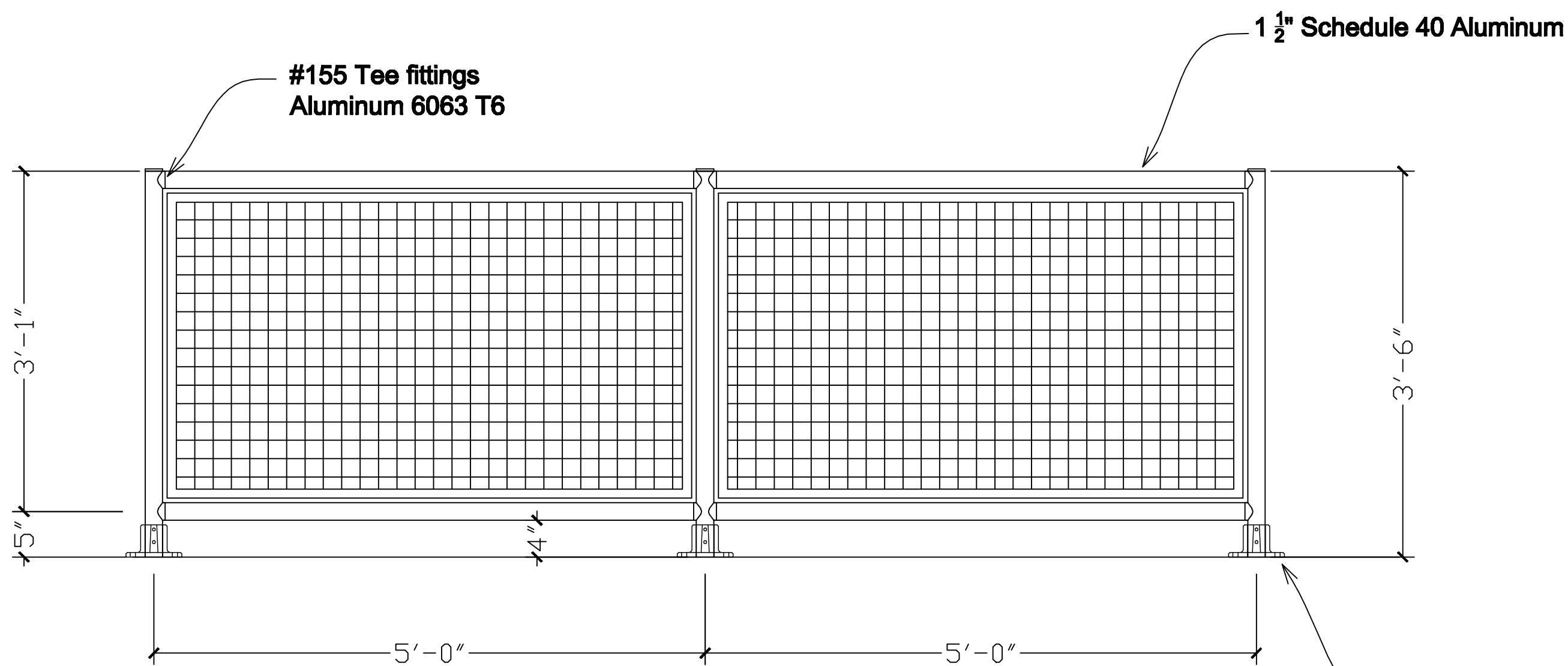


155 Tee



Panel Clip

Base Mount Flange
* See flange chart

Rail may also be cored

THIS DRAWING AND ALL THE INFORMATION THEREON IS THE PROPERTY OF THE IDEAL SHIELD. IS CONFIDENTIAL AND MUST NOT BE MADE PUBLIC, NOR COPIED, NOR USED, TO THE DISADVANTAGE OF SAID IDEAL SHIELD AND IS SUBJECT TO RETURN ON DEMAND.
COPYRIGHT 2003 , IDEAL SHIELD

NO.	REVISIONS	DATE	APPROVED

MANUFACTURER OF IDEAL SHIELD PROTECTIVE GUNNER RAIL SYSTEMS

2525 Clark St.
Detroit, MI 48209

PROJECT

CUSTOMER

DESCRIPTION
Ideal Shield 2 Line Aluminum with Infill Plate Mount

DRAWN BY:	APPROVED BY:	DATE:
ACB		
PROJECT NO:		SCALE:
FINISH:		DRAWING NO:
MATERIAL:		SHEET 1 OF 1