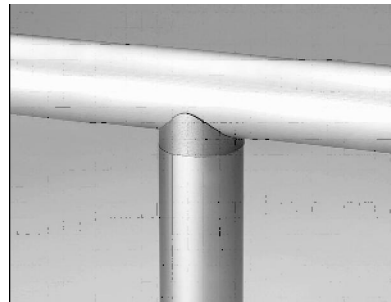
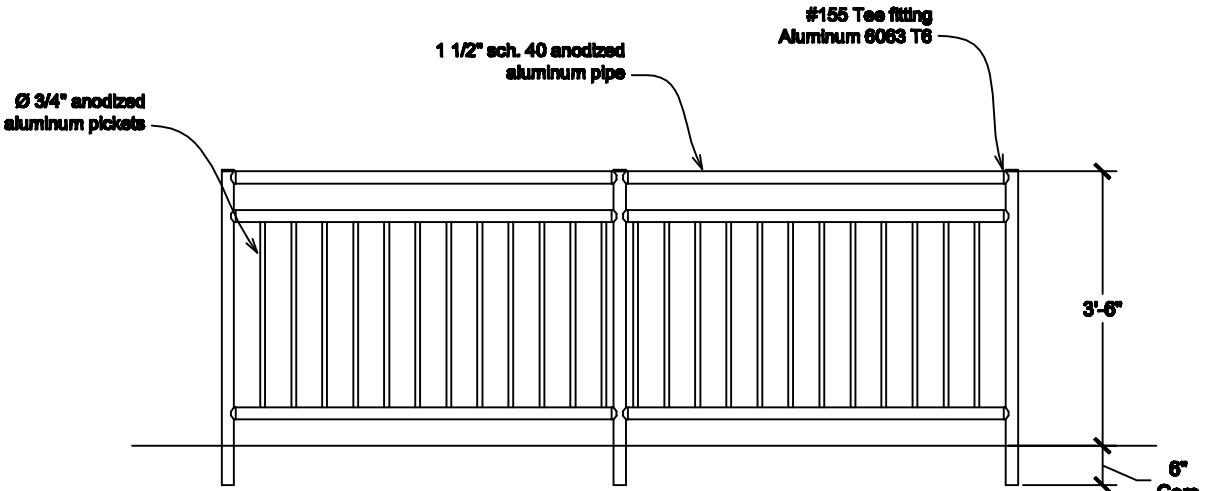


**3 line Aluminum Picket Rail
Plate Mount**

Base Mount Flange
* See flange chart



#155 Tee



**3 Line Aluminum Picket Rail
Cored**

THIS DRAWING AND ALL THE INFORMATION THEREIN IS THE PROPERTY OF THE IDEAL SHIELD. IS CONFIDENTIAL AND MUST NOT BE MADE PUBLIC, NOR COPIED, NOR USED, TO THE DISADVANTAGE OF SAID IDEAL SHIELD AND IS SUBJECT TO RETURN ON DEMAND.
COPYRIGHT 2003 ,
IDEAL SHIELD

NO.	REVISIONS	DATE	APPROVED


 2525 Clark St.
 Detroit, MI 48209

PROJECT

CUSTOMER

DESCRIPTION
 Ideal Shield
 3 line aluminum
 with pickets
 Core & Plate Mount

DRAWN BY ACB	APPROVED BY	DATE
PROJECT NO. -		SCALE
PRICE		DRAWING NO.
MATERIAL		SHEET OF 1 1