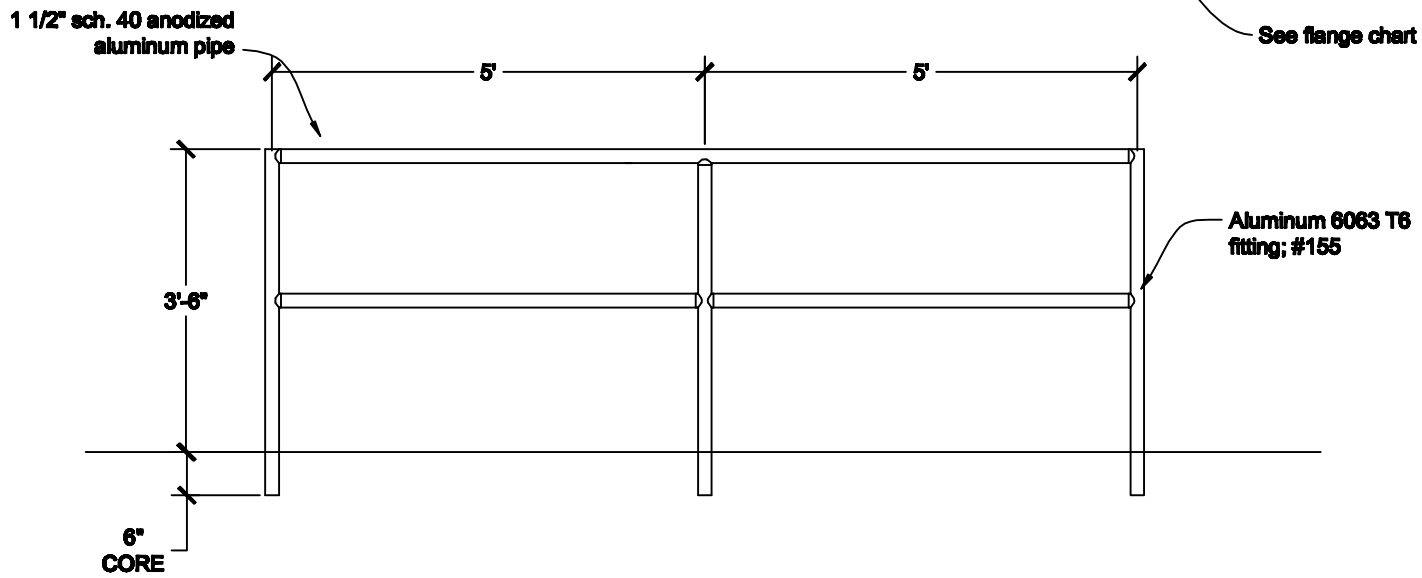


No. 155 Tee



See flange chart

Notes:

- Aluminum and fittings are finished in a clear anodize. Powder coating is available.
- 4" anodized aluminum kick plate (toe plate) is available.
- Continuous anodized aluminum grabrail also available

THIS DRAWING AND ALL THE INFORMATION THEREIN IS THE PROPERTY OF THE IDEAL SHIELD. IS CONFIDENTIAL AND MUST NOT BE MADE PUBLIC, NOR COPIED, NOR USED, TO THE DISADVANTAGE OF SAID IDEAL SHIELD AND IS SUBJECT TO RETURN ON DEMAND.
 COPYRIGHT 2004 , IDEAL SHIELD

NO.	REVISIONS	DATE	APPROVED

IDEAL SHIELD
 2525 Clark St.
 Detroit, MI 48209

PROJECT

CUSTOMER

DESCRIPTION
 Ideal Shield
 2 line Aluminum Rail
 with Internia fittings
 Core & Plate Mount

DRAWN BY ACB	APPROVED BY	DATE
PROJECT NO. -	SCALE NA	
MATERIAL CLEAR ANODIZED	DRAWING NO.	
SHEET 1	OF 1	