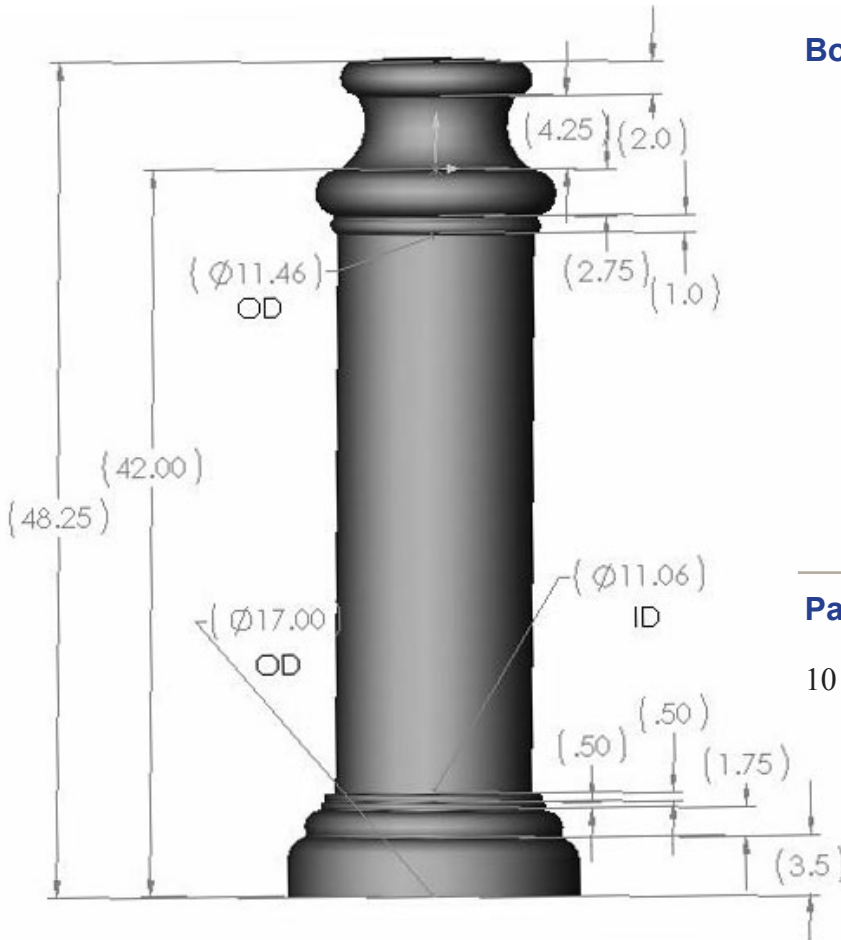


The Pawn

Product Spec Sheet



Body

Made of 1/4" polyethylene thermoplastic
Lo-Density Thermoplastic Polyethylene (LOPE)

Sizes: 10" (fits pipe smaller than 10" with insert")

Overall height: 52" (custom heights available)

Weight: 15lbs

Comes in light granite, dark granite,
architectural brown, and custom colors

Part Number

10 - 11 PAWN-SC-10-49-SLEEVE 49"

DECO